

声明: 样本内容仅供参考, 如有变更, 恕不另行通知, 印刷品的颜色与实物略有差异, 以实物为准, 如需了解技术详情, 欢迎向我公司查询。

Declaration: the sample content is for reference only, without prior notice, the print color and the material is slightly different, subject to the physical, if you need to know the technical details, please contact our company.

2020年11月印刷



地址: 广东省佛山市南海区丹灶镇樵金路劳斜工业区
Add: Dendrobium Laohua Industrial Zone, Fengjin Road, Danzao Town, Nanhai District, Foshan City, Guangdong Province
电话(Tel): 0757-86689696
传真(Fax): 0757-86689696
网址: www.faleolift.com 邮箱: E-mail: info@faleolift.com



佛山 fareo elevator 体验馆1 Foshan fareo elevator Pavilion1

地址: 广东省佛山市顺德区
Address: Shunde District, Foshan City, Guangdong Province

佛山 fareo elevator 体验馆2 Foshan fareo elevator Pavilion2

地址: 广东省佛山市南海区
Address: Nanhai District, Foshan City, Guangdong Province

佛山 fareo elevator 体验馆3 Foshan fareo elevator Pavilion3

地址: 广东省佛山市禅城区
Address: Chancheng District, Foshan City, Guangdong Province

广州 fareo elevator 体验馆1 Guangzhou fareo elevator Pavilion1

地址: 广东省广州市增城区
Address: Zengcheng District, Guangzhou, Guangdong

广州 fareo elevator 体验馆2 Guangzhou fareo elevator Pavilion2

地址: 广东省广州市花都区
Address: Huadu District, Guangzhou City, Guangdong Province

惠州 fareo elevator 体验馆 Huizhou fareo elevator pavilion

地址: 广东省惠州市仲恺高新区
Address: High-tech Zone, Zhong Kai, Huizhou, Guangdong

长沙 fareo elevator 体验馆 Changsha fareo elevator Pavilion

地址: 湖南省长沙市天心区
Address: Tianxin District, Changsha City, Hunan Province

武汉 fareo elevator 体验馆 Wuhan fareo elevator Pavilion

地址: 湖北省武汉市黄陂区
Address: Huangpi District, Wuhan, Hubei

桂林 fareo elevator 体验馆 Guilin fareo elevator Pavilion

地址: 广西省桂林市象山区
Address: Xiangshan District, Guilin, Guangxi

深圳 fareo elevator 体验馆1 Shenzhen fareo elevator Pavilion1

地址: 广东省深圳市龙华区
Address: Longhua District, Shenzhen City, Guangdong Province

深圳 fareo elevator 体验馆2 Shenzhen fareo elevator Pavilion2

地址: 广东省深圳市南山区
Address: Nanshan District, Shenzhen City, Guangdong Province

西安 fareo elevator 体验馆 Xi'an fareo elevator pavilion

地址: 陕西省西安是莲湖区
Address: Lianhu District, Xi'an, Shanxi Province

英联舞台 画册设计+印刷 13584251557



法立奥电梯(广东)有限公司
fareo elevator

专业制造别墅电梯
Professional manufacturer of villa elevator
Профессиональное производство коттеджных лифтов



British Classic Production
Base in Foshan

英伦经典 • 生产基地于中国 • 佛山

Sales network 销售网络

30+
多个国家

500+
服务网点

从亚洲到欧美 从非洲到大洋洲 **fareo elevator** 横跨30多个国家与地区 建立长期的战略合作完善的营销与服务体系 让 **fareo elevator** 的足迹越来越清晰。

From Asia to Europe and America, from Africa to Oceania, **fareo elevator** has established long-term strategic cooperation and perfect marketing and service system, which makes the footprint of **fareo elevator** clearer and clearer.





匠心之作，精益求精

从研发到生产的每一个流程的高品质要求，
从存储到流通每一个环节的严格把控，
不断地优化产品细节和产品质量安全，
做到细致入微，
将匠人精神发挥至极致。



FLA-09 (标配版)

吊 顶: 304发纹不锈钢 LED照明
轿 壁: 304镜面不锈钢+304发纹不锈钢
前 壁: 304发纹不锈钢
轿 门: 304发纹不锈钢
地 板: PVC地板

Ceiling: 304 hairline stainless steel LED lighting
Car wall: 304 mirror stainless steel + 304 hairline stainless steel
Front wall: 304 hairline stainless steel
Car door: 304 hairline stainless steel
Floor: PVC floor



扫描二维码
观看3D全景



C-FLA-01

吊 顶: 304玫瑰金镜面不锈钢, LED照明
 轿 壁: 304玫瑰金镜面蚀刻 + 304玫瑰金发纹不锈钢
 前 壁: 304玫瑰金发纹不锈钢
 轿 门: 304玫瑰金发纹不锈钢
 地 板: PVC地板或20mm拼花砖 (选配)

Ceiling: 304 rose gold mirror stainless steel, LED lighting
 Car wall: 304 rose gold mirror etching + 304 rose gold hair stripe stainless steel
 Front wall: 304 rose golden hair stainless steel
 Car door: 304 rose golden hair stainless steel
 Floor: PVC floor or or 20mm mosaic brick (Optional)



扫描二维码
 观看3D全景

C-FLA-02

吊 顶: 304黑钛金镜面不锈钢, LED照明
 轿 壁: 304黑钛金镜面蚀刻 + 304黑钛金发纹不锈钢
 前 壁: 304黑钛金发纹不锈钢
 轿 门: 304黑钛金发纹不锈钢
 地 板: PVC地板或20mm拼花砖 (选配)

Ceiling: 304 black titanium mirror stainless steel, LED lighting
 Car wall: 304 black titanium gold mirror etching + 304 black titanium gold hairline stainless steel
 Front wall: 304 black titanium hair stainless steel
 Car door: 304 black titanium hair stainless steel
 Floor: PVC floor or or 20mm mosaic brick (Optional)



扫描二维码
 观看3D全景

C-FLA-03

吊 顶: 304香槟金镜面不锈钢, LED照明
 轿 壁: 304香槟金镜面蚀刻 + 304香槟金发纹不锈钢
 前 壁: 304香槟金发纹不锈钢
 轿 门: 304香槟金发纹不锈钢
 地 板: PVC地板或20mm拼花砖 (选配)

Ceiling: 304 champagne gold mirror stainless steel, LED lighting
 Car wall: 304 champagne gold mirror etching + 304 champagne gold hairline stainless steel
 Front wall: 304 champagne gold hair stainless steel
 Car door: 304 champagne gold hair stainless steel
 Floor: PVC floor or or 20mm mosaic brick (Optional)



扫描二维码
 观看3D全景





L-FLA-05

吊 顶: 304玫瑰金镜面不锈钢, LED照明
 后 壁: 304玫瑰金镜面不锈钢蚀刻 + 304黑钛金镜面不锈钢
 侧 壁: 304玫瑰金发纹不锈钢蚀刻 + 304黑钛金镜面不锈钢
 前 壁: 304玫瑰金发纹不锈钢
 轿 门: 304玫瑰金发纹不锈钢
 地 板: PVC地板或20mm拼花砖 (选配)

Ceiling: 304 rose gold mirror stainless steel, LED lighting
 Rear wall: 304 rose gold mirror stainless steel etching + 304 black titanium gold mirror stainless steel
 Side wall: 304 rose golden hair ribbon stainless steel etching + 304 black titanium gold mirror stainless steel
 Front wall: 304 rose golden hair stainless steel
 Car door: 304 rose golden hair stainless steel
 Floor: PVC floor or or 20mm mosaic brick (Optional)



扫描二维码
 观看3D全景

L-FLA-06

吊 顶: 304黑钛金镜面不锈钢, LED照明
 后 壁: 304黑钛金镜面不锈钢蚀刻 + 304黑钛金镜面不锈钢
 侧 壁: 304黑钛金发纹不锈钢蚀刻 + 304黑钛金镜面不锈钢
 前 壁: 304黑钛金发纹不锈钢
 轿 门: 304黑钛金发纹不锈钢
 地 板: PVC地板或20mm拼花砖 (选配)

Ceiling: 304 black titanium gold mirror stainless steel, LED lighting
 Rear wall: 304 black titanium gold mirror stainless steel etching + 304 black titanium gold mirror stainless steel
 Side wall: 304 black titanium gold hairline stainless steel etching + 304 black titanium gold mirror stainless steel
 Front wall: 304 black titanium gold hair stainless steel
 Car door: 304 black titanium gold hair stainless steel
 Floor: PVC floor or or 20mm mosaic brick (Optional)



扫描二维码
 观看3D全景



L-FLA-07

吊 顶: 304香槟金镜面不锈钢, LED照明
 后 壁: 304香槟金镜面不锈钢蚀刻 + 304黑钛金镜面不锈钢
 侧 壁: 304香槟金发纹不锈钢蚀刻 + 304黑钛金镜面不锈钢
 前 壁: 304香槟金发纹不锈钢
 轿 门: 304香槟金发纹不锈钢
 地 板: PVC地板或20mm拼花砖 (选配)

Ceiling: 304 champagne gold mirror stainless steel, LED lighting
 Rear wall: 304 champagne gold mirror stainless steel etching + 304 black titanium gold mirror stainless steel
 Side wall: 304 champagne golden hairline stainless steel etching + 304 black titanium gold mirror stainless steel
 Front wall: 304 champagne gold hair stainless steel
 Car door: 304 champagne gold hair stainless steel
 Floor: PVC floor or or 20mm mosaic brick (Optional)



扫描二维码
 观看3D全景





Y-FLA-08

吊 顶: 304玫瑰金镜面不锈钢, LED照明
 后 壁: 304玫瑰金镜面蚀刻 + 304玫瑰金发纹不锈钢
 侧 壁: 304玫瑰金镜面蚀刻 + 304镜面不锈钢
 前 壁: 304玫瑰金发纹不锈钢
 轿 门: 304玫瑰金发纹不锈钢
 地 板: PVC地板或20mm拼花砖 (选配)

Ceiling: 304 rose gold mirror stainless steel, LED lighting
 Rear wall: 304 rose gold mirror etching + 304 rose gold hair stripe stainless steel
 Side wall: 304 rose gold mirror etching + 304 mirror stainless steel
 Front wall: 304 rose golden hair stainless steel
 Car door: 304 rose golden hair stainless steel
 Floor: PVC floor or or 20mm mosaic brick (Optional)



扫描二维码
 观看3D全景

Y-FLA-10

吊 顶: 304黑钛金镜面不锈钢, LED照明
 后 壁: 304黑钛金镜面蚀刻 + 304黑钛金发纹不锈钢
 侧 壁: 304黑钛金镜面蚀刻 + 304镜面不锈钢
 前 壁: 304黑钛金发纹不锈钢
 轿 门: 304黑钛金发纹不锈钢
 地 板: PVC地板或20mm拼花砖 (选配)

Ceiling: 304 black titanium mirror stainless steel, LED lighting
 Rear wall: 304 black titanium gold mirror etching + 304 black titanium gold hairline stainless steel
 Side wall: 304 black titanium gold mirror etching + 304 mirror stainless steel
 Front wall: 304 black titanium hair stainless steel
 Car door: 304 black titanium hair stainless steel
 Floor: PVC floor or or 20mm mosaic brick (Optional)



扫描二维码
 观看3D全景

Y-FLA-11

吊 顶: 304香槟金镜面不锈钢, LED照明
 后 壁: 304香槟金镜面蚀刻 + 304香槟金发纹不锈钢
 侧 壁: 304香槟金镜面蚀刻 + 304镜面不锈钢
 前 壁: 304香槟金发纹不锈钢
 轿 门: 304香槟金发纹不锈钢
 地 板: PVC地板或20mm拼花砖 (选配)

Ceiling: 304 champagne gold mirror stainless steel, LED lighting
 Rear wall: 304 champagne gold mirror etching + 304 champagne gold hairline stainless steel
 Side wall: 304 champagne gold mirror etching + 304 mirror stainless steel
 Front wall: 304 champagne gold hair stainless steel
 Car door: 304 champagne gold hair stainless steel
 Floor: PVC floor or or 20mm mosaic brick (Optional)



扫描二维码
 观看3D全景





P-FLA-12

吊 顶: 304玫瑰金镜面不锈钢, LED照明
 轿 壁: 仿皮革拼花面+玫瑰金镜面条
 前 壁: 304玫瑰金发纹不锈钢
 轿 门: 304玫瑰金发纹不锈钢
 地 板: PVC地板或20mm拼花砖 (选配)

Ceiling: 304 rose gold mirror stainless steel, LED lighting
 Car wall: Leather-like patchwork + rose gold mirror noodles
 Front wall: 304 rose golden hair stainless steel
 Car door: 304 rose golden hair stainless steel
 Floor: PVC floor or or 20mm mosaic brick (Optional)



扫描二维码
 观看3D全景

P-FLA-15

吊 顶: 304玫瑰金镜面不锈钢, LED照明
 轿 壁: 仿皮革拼花面+玫瑰金镜面条
 前 壁: 304玫瑰金发纹不锈钢
 轿 门: 304玫瑰金发纹不锈钢
 地 板: PVC地板或20mm拼花砖 (选配)

Ceiling: 304 rose gold mirror stainless steel, LED lighting
 Car wall: Leather-like patchwork + rose gold mirror noodles
 Front wall: 304 rose golden hair stainless steel
 Car door: 304 rose golden hair stainless steel
 Floor: PVC floor or or 20mm mosaic brick (Optional)



扫描二维码
 观看3D全景



P-FLA-16

吊 顶: 304玫瑰金镜面不锈钢, LED照明
 轿 壁: 仿皮革拼花面+玫瑰金镜面条
 前 壁: 304玫瑰金发纹不锈钢
 轿 门: 304玫瑰金发纹不锈钢
 地 板: PVC地板或20mm拼花砖 (选配)

Ceiling: 304 rose gold mirror stainless steel, LED lighting
 Car wall: Leather-like patchwork + rose gold mirror noodles
 Front wall: 304 rose golden hair stainless steel
 Car door: 304 rose golden hair stainless steel
 Floor: PVC floor or or 20mm mosaic brick (Optional)



扫描二维码
 观看3D全景





O-FLA-17

吊 顶: 304玫瑰金镜面不锈钢, LED照明
 轿 壁: 304玫瑰金镜面蚀刻 + 304玫瑰金发纹不锈钢
 前 壁: 304玫瑰金发纹不锈钢
 轿 门: 304玫瑰金发纹不锈钢
 地 板: PVC地板或20mm拼花砖 (选配)

Ceiling: 304 rose gold mirror stainless steel, LED lighting
 Car wall: 304 rose gold mirror etching + 304 rose gold hair stripe stainless steel
 Front wall: 304 rose golden hair stainless steel
 Car door: 304 rose golden hair stainless steel
 Floor: PVC floor or or 20mm mosaic brick (Optional)



扫描二维码
 观看3D全景

O-FLA-18

吊 顶: 304黑钛金镜面不锈钢, LED照明
 轿 壁: 304黑钛金镜面蚀刻 + 304黑钛金发纹不锈钢
 前 壁: 304黑钛金发纹不锈钢
 轿 门: 304黑钛金发纹不锈钢
 地 板: PVC地板或20mm拼花砖 (选配)

Ceiling: 304 black titanium mirror stainless steel, LED lighting
 Car wall: 304 black titanium gold mirror etching + 304 black titanium gold hairline stainless steel
 Front wall: 304 black titanium hair stainless steel
 Car door: 304 black titanium hair stainless steel
 Floor: PVC floor or or 20mm mosaic brick (Optional)



扫描二维码
 观看3D全景

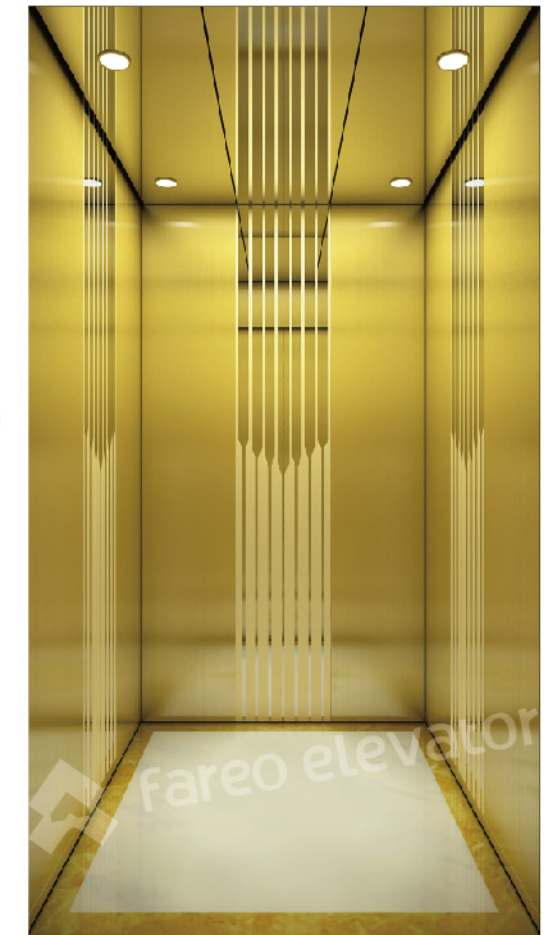
O-FLA-19

吊 顶: 304香槟金镜面不锈钢, LED照明
 轿 壁: 304香槟金镜面蚀刻 + 304香槟金发纹不锈钢
 前 壁: 304香槟金发纹不锈钢
 轿 门: 304香槟金发纹不锈钢
 地 板: PVC地板或20mm拼花砖 (选配)

Ceiling: 304 champagne gold mirror stainless steel, LED lighting
 Car wall: 304 champagne gold mirror etching + 304 champagne gold hairline stainless steel
 Front wall: 304 champagne gold hair stainless steel
 Car door: 304 champagne gold hair stainless steel
 Floor: PVC floor or or 20mm mosaic brick (Optional)



扫描二维码
 观看3D全景





M-FLA-20

吊 顶: 304玫瑰金镜面不锈钢, LED照明
 轿 壁: 304黑钛金镜面不锈钢 + 木饰板
 前 壁: 304黑钛金发纹不锈钢
 轿 门: 304黑钛金发纹不锈钢
 地 板: PVC地板或20mm拼花砖 (选配)

Ceiling: 304 rose gold mirror stainless steel, LED lighting
 Car wall: 304 black titanium gold mirror stainless steel + wood decoration board
 Front wall: 304 black titanium golden hair stripe stainless steel
 Car door: 304 black titanium golden hair stripe stainless steel
 Floor: PVC floor or or 20mm mosaic brick (Optional)



扫描二维码
 观看3D全景

M-FLA-21

吊 顶: 304玫瑰金镜面不锈钢, LED照明
 轿 壁: 304黑钛金镜面不锈钢 + 木饰板
 前 壁: 304黑钛金发纹不锈钢
 轿 门: 304黑钛金发纹不锈钢
 地 板: PVC地板或20mm拼花砖 (选配)

Ceiling: 304 rose gold mirror stainless steel, LED lighting
 Car wall: 304 black titanium gold mirror stainless steel + wood decoration board
 Front wall: 304 black titanium golden hair stripe stainless steel
 Car door: 304 black titanium golden hair stripe stainless steel
 Floor: PVC floor or or 20mm mosaic brick (Optional)



扫描二维码
 观看3D全景



M-FLA-22

吊 顶: 304镜面不锈钢, LED照明
 轿 壁: 304黑钛金镜面不锈钢 + 木饰板
 前 壁: 304黑钛金发纹不锈钢
 轿 门: 304黑钛金发纹不锈钢
 地 板: PVC地板或20mm拼花砖 (选配)

Ceiling: 304 mirror stainless steel, LED lighting
 Car wall: 304 black titanium gold mirror stainless steel + wood decoration board
 Front wall: 304 black titanium golden hair stripe stainless steel
 Car door: 304 black titanium golden hair stripe stainless steel
 Floor: PVC floor or or 20mm mosaic brick (Optional)



扫描二维码
 观看3D全景





G-FLA-23

吊 顶: 304玫瑰金镜面不锈钢, LED照明
 轿 壁: 钢化夹胶透明玻璃 304玫瑰金镜面
 不锈钢包边
 前 壁: 304玫瑰金镜面不锈钢
 轿 门: 钢化夹胶玻璃 304玫瑰金镜面不锈钢包边
 地 板: PVC地板或20mm拼花砖 (选配)

Ceiling: 304 rose gold mirror stainless steel, LED lighting
 Car wall: Tempered glass 304 rose gold mirror stainless
 steel edge-wrapping
 Front wall: 304 rose gold mirror stainless steel
 Car door: Tempered glass 304 rose gold mirror stainless
 steel edge-wrapping
 Floor: PVC floor or 20mm mosaic brick (Optional)



扫描二维码
 观看3D全景

包边可选颜色 Optional colors for edging



黑钛金色



香槟金色



扫描二维码
 观看3D全景

G-FLA-24



扫描二维码
 观看3D全景

G-FLA-25

G-FLA-26

吊 顶: 木饰面框架 回光灯, 筒灯
 轿 壁: 铝合金氟碳框架+黑钛金镜面不锈钢+
 复合装饰板+安全玻璃
 前 壁: 铝合金氟碳框架+复合装饰板
 轿 门: 铝合金氟碳框架+安全玻璃
 操纵箱: 7寸触摸屏操作箱
 扶 手: 黑钛金不锈钢
 地 板: PVC地板或20mm拼花砖 (选配)

Ceiling: wooden veneer frame backlight and downlight
 Car wall: aluminum alloy fluorocarbon frame+black
 titanium mirror stainless steel+composite decorative
 board+safety glass
 Front wall: aluminum alloy fluorocarbon frame+compos-
 ite decorative board
 Car door: aluminum alloy fluorocarbon frame+safety
 glass
 Operation box: 7-inch touch screen operation box
 Handrails: black titanium stainless steel
 Floor: PVC floor or 20mm mosaic brick (optional)

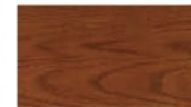


扫描二维码
 观看3D全景

木饰面 Wood veneer



紫荆桐



花梨面



黄橡木

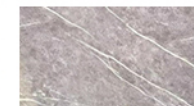
石饰面 Stone facing



大理石纹路



雅典白



云灰石



井道铝框架



铝合金井道优势

Aluminum alloy well track advantage

- 1、井道利用最大化
- 2、免开料、免烧焊、免油漆
- 3、现场拼装，安装便捷
- 4、不褪色、不变色、不掉块
- 5、专利产品，蜂巢式模块生产，承载力更强

- 1、Maximize the use of wellway
- 2、No material, no welding, no paint
- 3、Field assembly, easy to install
- 4、No fade, no discoloration, no lumping.
- 5、Patented products, honeycomb module production, stronger bearing capacity



井道框架可选颜色

Raceway Frame Optional Color

高级黑 FXSK-043S	星空灰 FXSK-051S
雅典金 FXSK-072D	香槟金 FXSK-057S
珊瑚白 FXSK-004W	玫瑰金 FX3P-92289D

井道玻璃可选颜色

Raceway glass optional color

白玻 Clear glass	烟灰 Ash grey
福特蓝 Ford blue	金茶 Golden tea

人机界面
Man-machine interface



WH04



WH03



WH02



WH01 (标配)

扶手选配系列
Handrail Selection Series



FS03
发纹不锈钢 Hairline stainless steel



FS04
黑钛金发纹 Black titanium golden hair line



FS05
香槟金发纹 Champagne golden hairline



FS06
玫瑰金发纹 Rose blonde hairline

层门选配
Layer gate matching



TM01 标配
发纹不锈钢



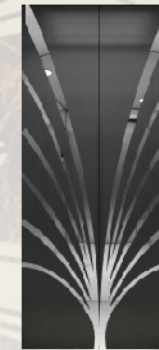
TM08
发纹不锈钢、蚀刻



TM06
发纹不锈钢、安全玻璃



TM11
发纹不锈钢，蚀刻



TM12
黑钛发纹、蚀刻



TM13
黑钛发纹，蚀刻



TM14
黑钛发纹，蚀刻



TM15
黑钛发纹，蚀刻



TM16
香槟金发纹，蚀刻



TM17
香槟金发纹，蚀刻



TM18
香槟金发纹，蚀刻



TM19
香槟金发纹，蚀刻



TM04
玫瑰金发纹，蚀刻



TM20
玫瑰金发纹，蚀刻



TM21
玫瑰金发纹，蚀刻



TM22
玫瑰金发纹，蚀刻

手拉门选配
Hand-held door selection



SLM01
钢化玻璃 铝合金边框 银白色
Steel glass, aluminum alloy frame, silver-white



SLM02
钢化玻璃 铝合金边框 香槟金
Steel glass, aluminum alloy frame, champagne gold



SLM03
钢化玻璃 铝合金边框 玫瑰金
Steel glass, aluminum alloy frame, rose gold

电梯功能表



全面保护 General Protection

关门时间保护 Closing time protection	外召按钮嵌入自诊断 Hb button embedded self-diagnosis
轿内紧急照明 Emergency lighting in the car	逆向运行保护 Protection against reverse travel
超载不启动 (警示灯及蜂鸣器) Overloading warning (Caution light and buzzer)	防打滑保护 Prevent slipping protection
光幕门保护装置 The screen door protection device	安全回路保护 Safety circuit protection
轿顶于控制柜紧急电动运行 Car roof and control cabinet emergency electric operation	限位保护 Limit protection
故障自动检测功能 Fault automatic diagnosis	上下极限保护装置 Upper and lower limit protection device
警铃 Alarm bell	门连锁保护 Door interlock protection
撞底缓冲装置 Hitting the bottom buffer device	运行接触器保护 Operation contactor
门区外不能开门 Outside door zone without opening door	抱闸检测保护 Brake detection and protection
电网电压波动检测功能 Wave detection of grid voltage	驱动设备过热保护 Driven equipment overheating protection (OHT)
接触器反馈监测功能 Contactor feedback detection	电动松闸 Electric brake
继电器检查保护 Relay detection protection	停电应急救援 <input type="checkbox"/> Automatic rescue device
速度反馈检测功能 Speed feedback detection	一键拨号功能 <input type="checkbox"/> One-touch dial
故障低速自救功能 Fault low-speed self-rescue	滚轮导靴 Roller Guide-Shoe
	实心导轨 Solid Guide-Shoe



平稳运行 Steady Running

无呼自返基站功能 Return to base station without call	待梯层设定 Upon elevator floor setting
全集选控制 <input type="checkbox"/> Full collective control	电梯自学习 Elevator self-learning
满载不停梯 Full-load direct running (LNS)	端站换速及楼层号校正 End station for speed and floor number correction
自动开关门 (自动门 Automatic door) Automatic door switch	驻停 Parking
预转矩输出 Pre-torque output	



信息显示 Information Display

轿厢数字式位置指示器 Car digital position indicator	厅和轿厢呼梯/登记 Hall and car/register
厅外数字式位置指示器 Hall digital position indicator	运行次数显示功能 Running number display
轿厢运行方向显示 Car running direction display	楼层显示字符的任意设定 Floor display character arbitrary setting
厅外运行方向显示 Hall running direction display	



舒适乘行 Comfortable Ride

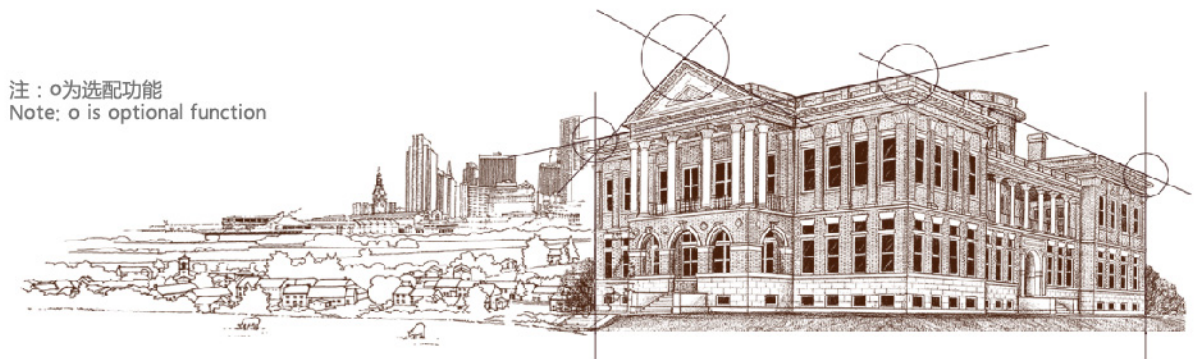
设置厅、轿门时间 (自动门 Automatic door) Hall and car door setting time	不停层设置 Bypassed stop setting
开、关门按钮 (自动门 Automatic door) Open and close button	输入口干扰评价 Input port evaluation
轿内通风自动及照明自动控制功能 Automatic ventilation and lighting of automatic control in car	手动选层 Manually selected floor
本层外召开门 (自动门 Automatic door) Hb calls door opening	误登取消 Cancellation of wrong landing
重复关门 (自动门 Automatic door) Repeated closing door	语音报站 <input type="checkbox"/> Voice announcement
	液晶显示 <input type="checkbox"/> Liquid display



保安监控 Security Monitoring

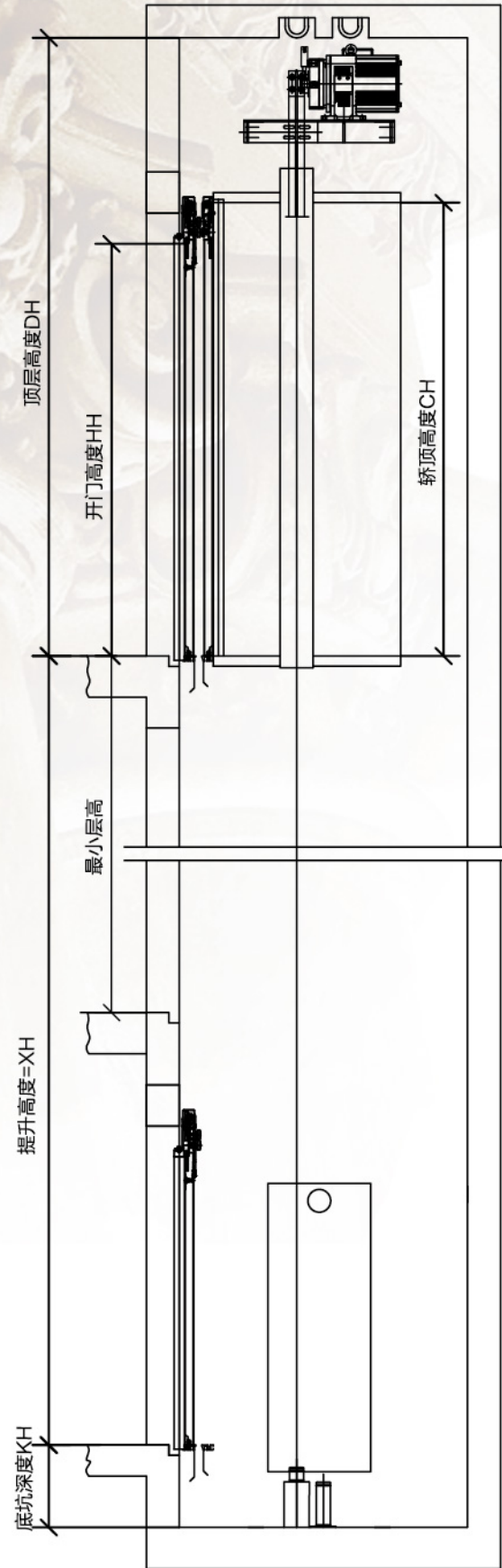
智能远程监管功能 Intellectual Long-Distance Monitor Function	BA接口 (干接点) <input type="checkbox"/> BA interface (Dry contact)
CCTV电缆 (轿厢到机房) <input type="checkbox"/> CCTV cable (From car to machine room)	小区监视盘 <input type="checkbox"/> Community monitoring panel
读卡器 <input type="checkbox"/> Card reader	小区电脑监控 <input type="checkbox"/> Community computer monitoring

注：○为选配功能
Note: ○ is optional function

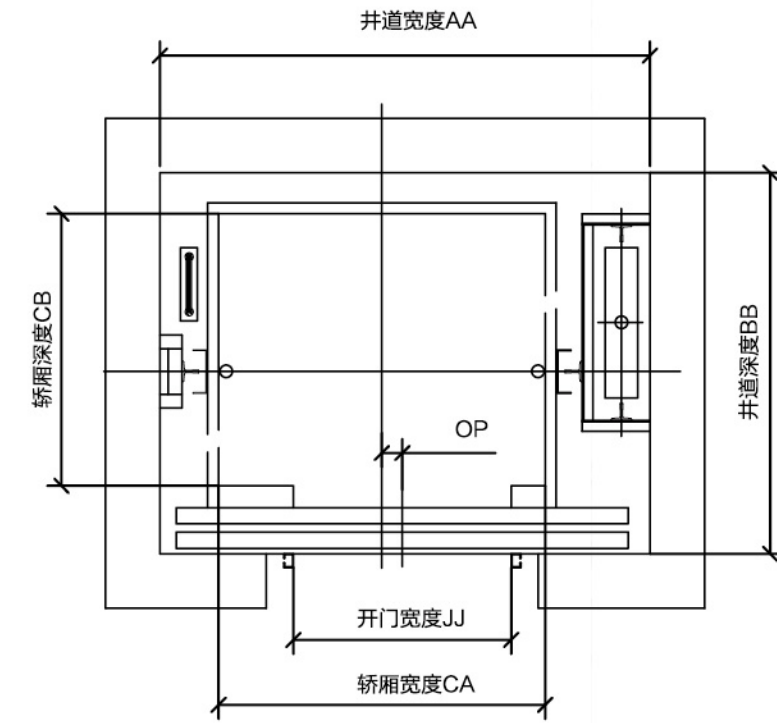


土建图布置图

井道立面图



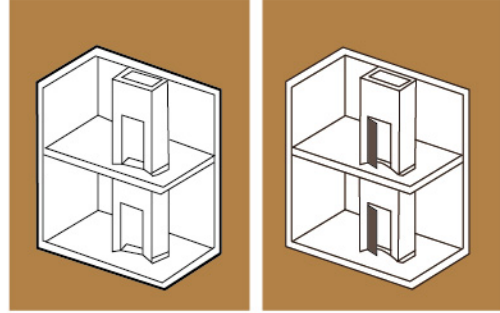
井道平面图



额定载重 Rate load	额定速度 Rated speed	轿厢尺寸 Car dimensions	开门方式 Opening mode	开门尺寸 Door opening size	井道尺寸 Well dimensions	底坑深度 Pit depth	顶层高度 Top height
250	0.4	1000x800	CO	700x2100	1600x1200	≥ 500	≥ 3100
320	0.4	1000x1000	CO	700x2100	1600x1400	≥ 500	≥ 3100
400	0.4	1000x1200	CO	700x2100	1600x1600	≥ 500	≥ 3100
400	0.4	1200x1000	CO	800x2100	1800x1400	≥ 500	≥ 3100

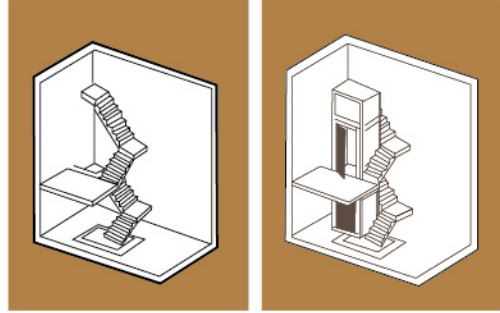
非标最大化					
额定载重 Rate load	额定速度 Rated speed	井道宽度 Width of the shaft	井道深度 Depth of the shaft	底坑深度 Pit depth	顶层高度 Top height
250-450KG	0.3-1.0	≥ 1000	≥ 1000	≥ 150	≥ 2600

井道布置方式



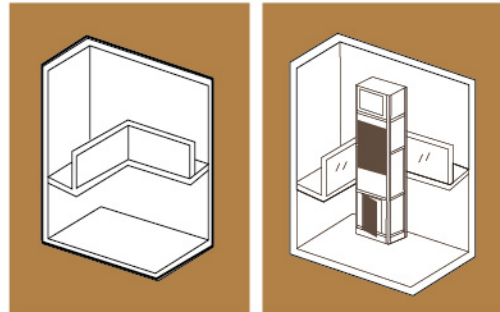
1 楼房有专用电梯井道
Building with special elevator hoistway

电梯可以直接安装在专用井道内
The elevator can be installed directly in the special well



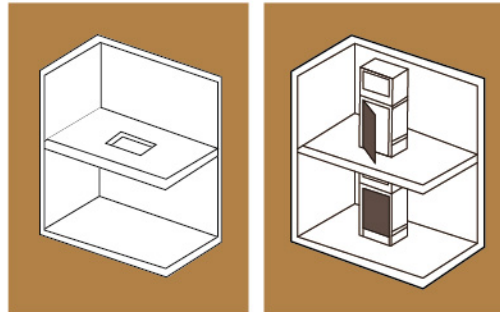
2 环绕楼梯中间有合适空间
There is a space around the stairs

在中间加装井道安装电梯
Installation of hoistway elevator in the middle



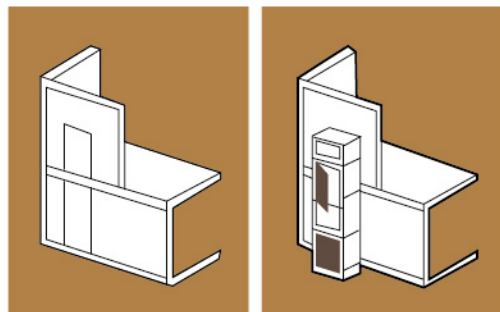
3 有中空的大厅或房间
A hollow hall or room

在大厅或房间加装井道安装电梯
Install elevator in the lobby or room



4 楼房内没有合适空间
电梯只能安装在室内
There is no suitable space in the building elevator can only be installed indoors

在楼板开出合适的孔
加装井道安装电梯
Install the appropriate hole in the floor and install the elevator



5 楼房内没有合适空间
There is no room in the building

在允许情况下，在室外加装井道安装电梯
Installation of elevators in the outdoor installation in the case of permission

②③④⑤场合需要加装电梯使用的井道，客户也可以自己采用金属框架或混凝土等材料预先建立井道。

②③④⑤ occasions need to install the shafts that lifts need. Customers can also use materials such as a metal framework or concrete to establish the shaft beforehand.

